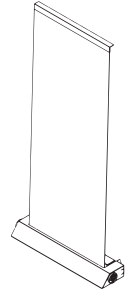
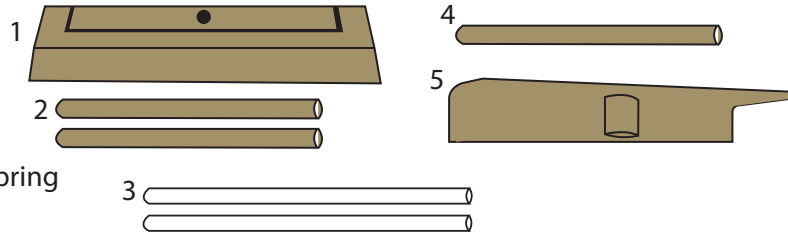


Eco-Lite Retractor

Product Parts

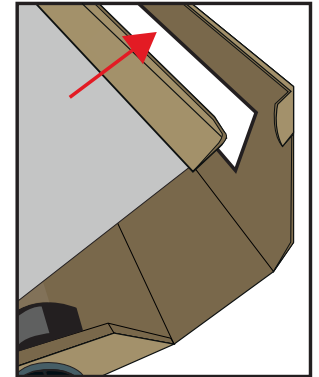
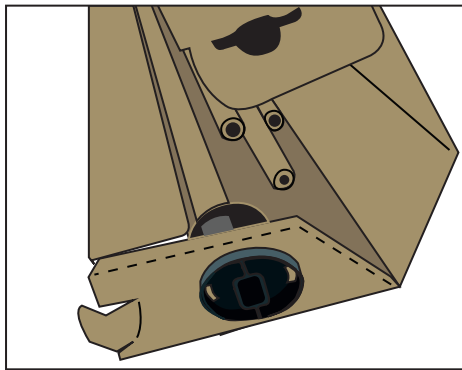
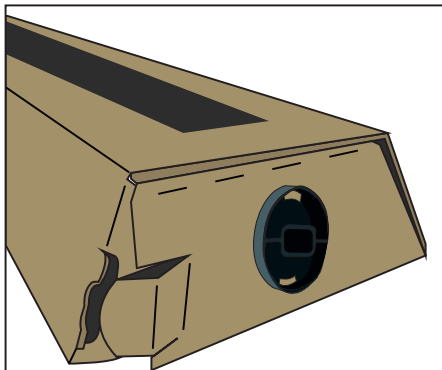
1. Base
2. External Pole (x2)
3. Internal Pole (x2)
4. External Top Pole with Spring
5. Banner Rail



Display Set-up

Step 1

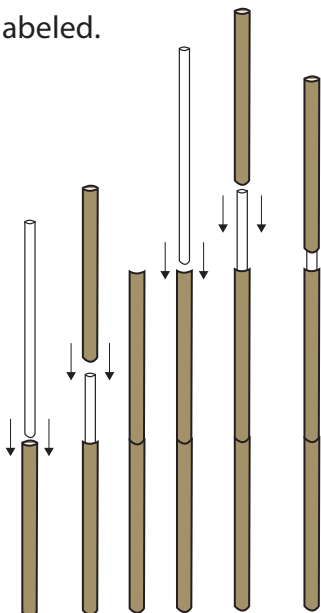
Open the Base (1) and remove Poles (3) from the inside. Push Banner Rail (5) through the slot on the Base (1). Once all Poles (3) have been removed from the Base (1) and the Banner Rail (5) has been pushed through the slot, close the base to begin assembly.



Step 2

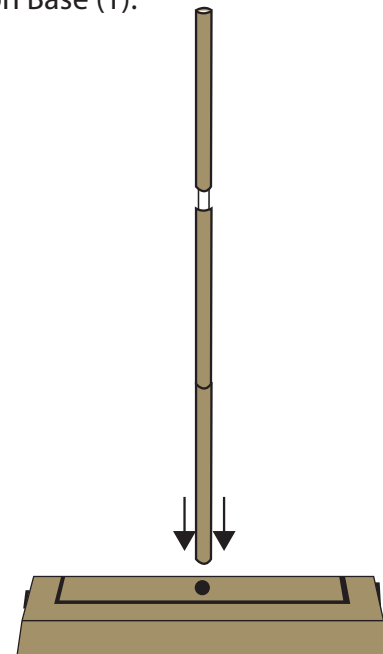
Assemble pole as shown in the diagram below, making sure the External Pole with Spring (4) is at the top.

Note: External Pole with Spring will be labeled.



Step 3

Insert assembled pole into hole on Base (1).



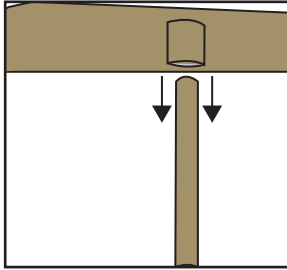
Storage & Care

Keep in dry and uncluttered environment to prevent damage to retractor.

Step 4

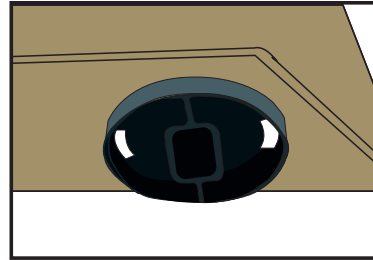
Facing the back of the Base (1) extend banner upward to the top of the pole.

Secure by inserting the top of the pole into the center slot on the Banner Rail (5).



Step 5

Turn tension wheel located on the side of the retractor base to pull the banner taut.



Storage & Care

Keep in dry and uncluttered environment to prevent damage to retractor.